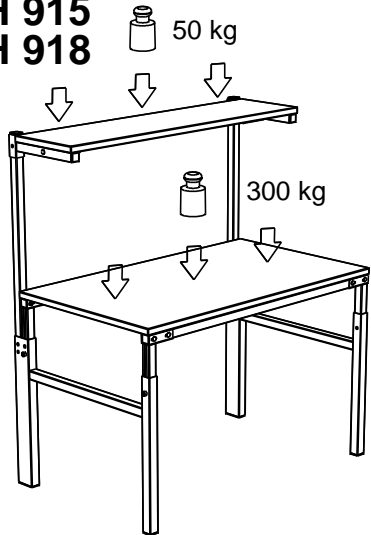
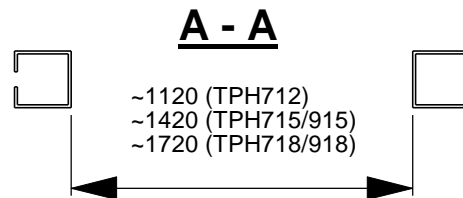
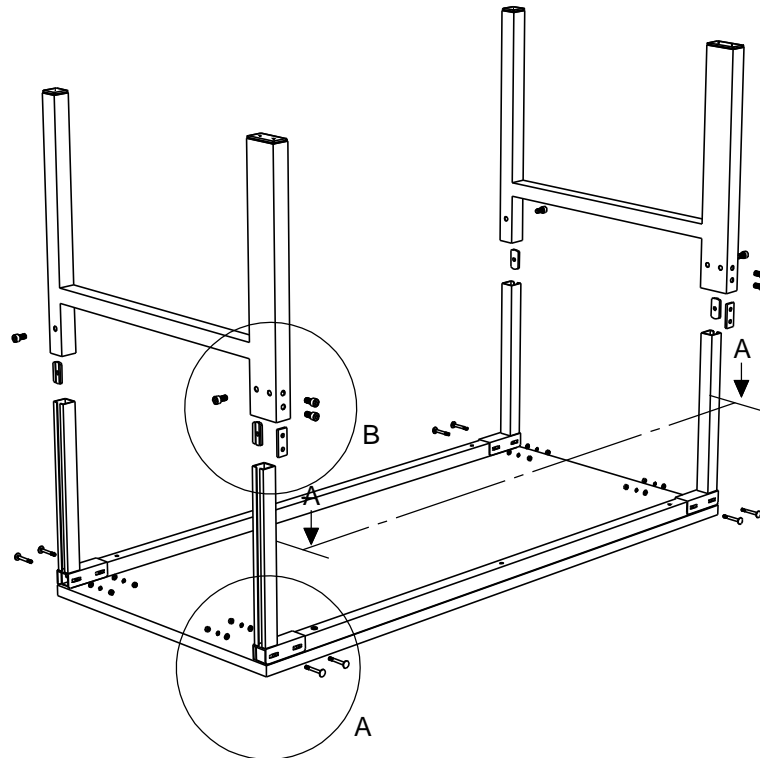


TPH 712  
 TPH 715  
 TPH 718  
 TPH 915  
 TPH 918

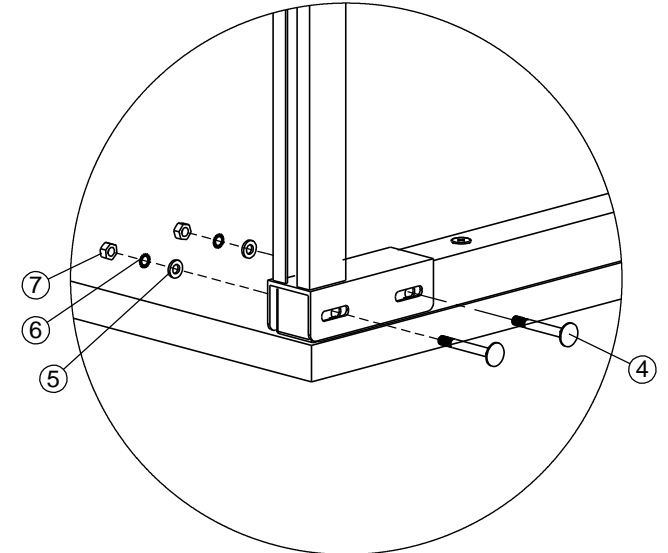


No.	Part	Pcs
1.	M 10 x 20	10
2.	M 10	6
3.	M 10 (2 x)	2
4.	M 6 x 50	12
5.	M 6 (6,4)	12
6.	M 6 (6,4)	12
7.	M 6	12
8.	5 x 50	7
9.	35 x 35	2



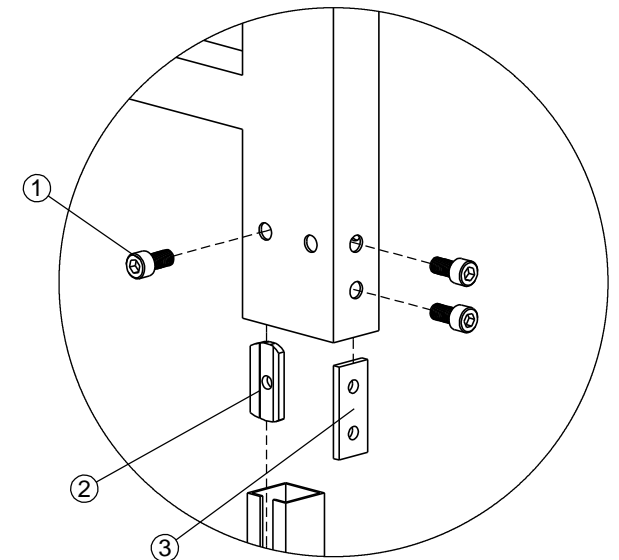
1.

Det. A

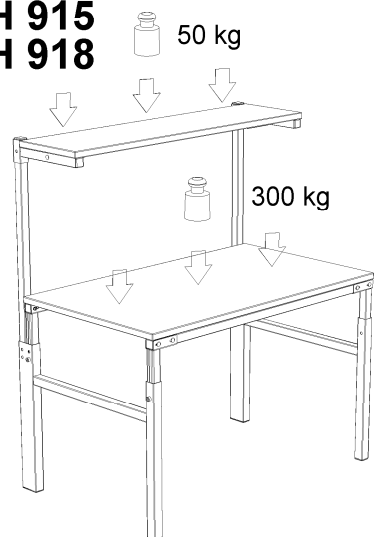


2.

Det. B

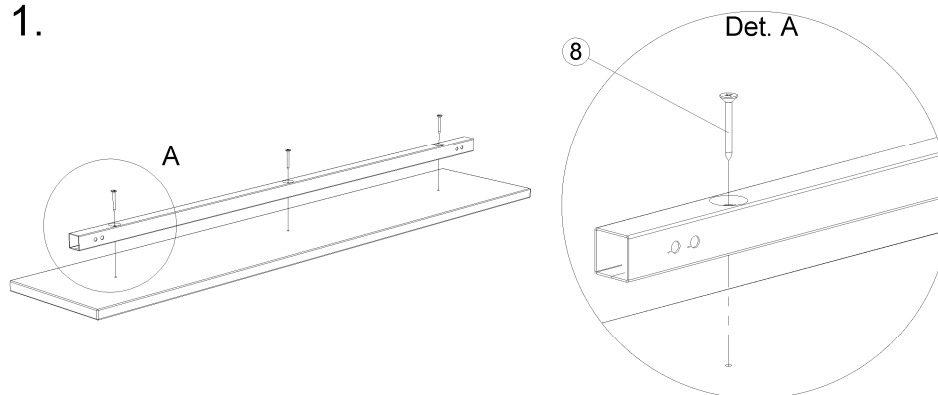


**TPH 712**  
**TPH 715**  
**TPH 718**  
**TPH 915**  
**TPH 918**

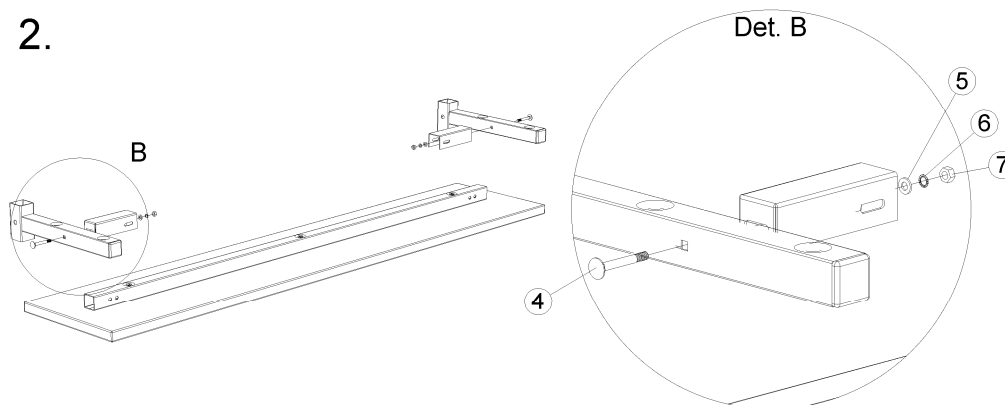


No.	Part	Pcs
1.	M 10 x 20	10
2.	M 10	6
3.	M 10 (2 x)	2
4.	M 6 x 50	12
5.	M 6 (6,4)	12
6.	M 6 (6,4)	12
7.	M 6	12
8.	5 x 50	7
9.	35 x 35	2

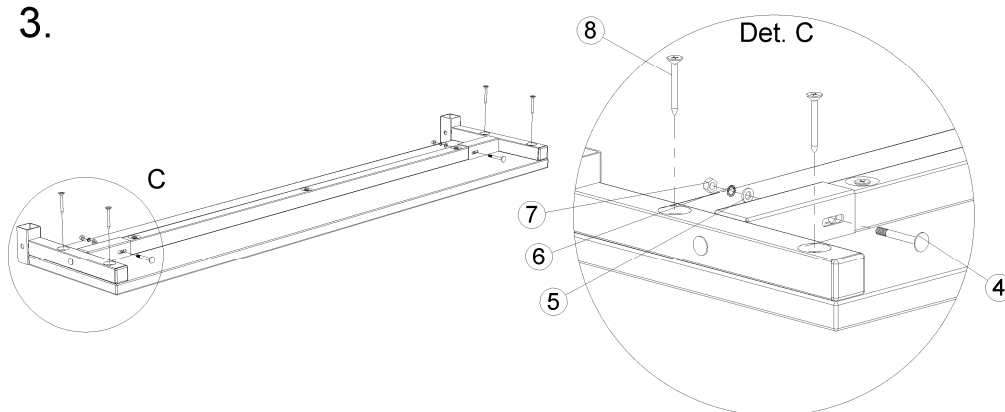
1.



2.



3.



4.

